

SYSTEM diEci

DSK130.3 120W



Technical Specifications

Component	-	Two way system
Woofers size	mm (in.)	130 (5.0)
Tweeter size	mm (in.)	24 (0.9)
Power handling	W peak	120
	W continuous	60
Impedance	Ω	4
Frequency response	Hz	60 ÷ 23k
Sensitivity	dB SPL	93
Woofers magnet size D-d-h	mm (in.)	70 x 32 x 15 (2.7 x 1.3 x 0.6)
Woofers voice coil \varnothing	mm (in.)	25 (1.0)
Woofers magnet	-	High density flux ferrite
Tweeter magnet	-	Neodymium
Woofers cone	-	Water-repellent pressed paper
Tweeter dome	-	PEI
Crossover	-	Hi Pass
Crossover cut off	-	3,5 kHz @ 12 dB Oct.
Woofers weight	kg (lb.)	0,53 (1.17)
Tweeter weight	kg (lb.)	0,03 (0.07)
Crossover weight	kg (lb.)	0,16 (0.35)

Electro-Acoustic Parameters

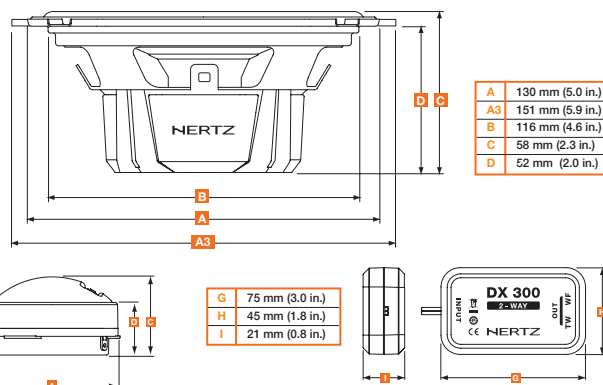
		Tweeter	Woofers
D	mm	24	112
Xmax	mm	-	2
Re	Ω	3,3	3,3
Fs	Hz	2800	81
Le	mH @ 1 kHz	0,3	0,26
Le	mH @ 10 kHz	0,04	0,16
Vas	l	-	7
Mms	g	-	7,4
Cms	mm/N	-	0,51
BL	T·m	-	3,9
Qts	-	-	0,76
Qes	-	-	0,93
Qms	-	-	4,3
Spl	dB	94	93

DT 24.3

1. 24 mm PEI dome-cone tweeter.
2. High efficiency annular acoustic lens.
3. High energy neodymium magnet.
4. Mounting accessories for external or embedded mounting included.

DV 130.3

1. Large motor assembly for mobile voice coil control.
2. Pure copper voice coil, wound on conex former, for maximum \ lightness.
3. V-cone® for best off-axis response, clear mid-high frequency detail and powerful bass.
4. TPU surround, for wide excursion and resonance damping.
5. DIN size basket protected by abrasion-proof dust paint.
6. Tin-plated, high current terminals.
7. Silver-plated lead wires for maximum reliability and conductivity.
8. Butyl rubber protective cover, against crashes and abrasions.
9. Epoxy glue for basket and motor system provides perfect coupling.
10. Low carbon content plates for maximum magnetic permeability and high heat dissipation.



A	34 mm (1.3 in.)
B	-
C	20 mm (0.8 in.)
D	13 mm (0.5 in.)

G	75 mm (3.0 in.)
H	45 mm (1.8 in.)
I	21 mm (0.8 in.)

A	130 mm (5.0 in.)
A3	151 mm (5.9 in.)
B	116 mm (4.6 in.)
C	58 mm (2.3 in.)
D	52 mm (2.0 in.)